

# LightCraft

Aluminium Workboats

## 20m Crew / Supply Boat



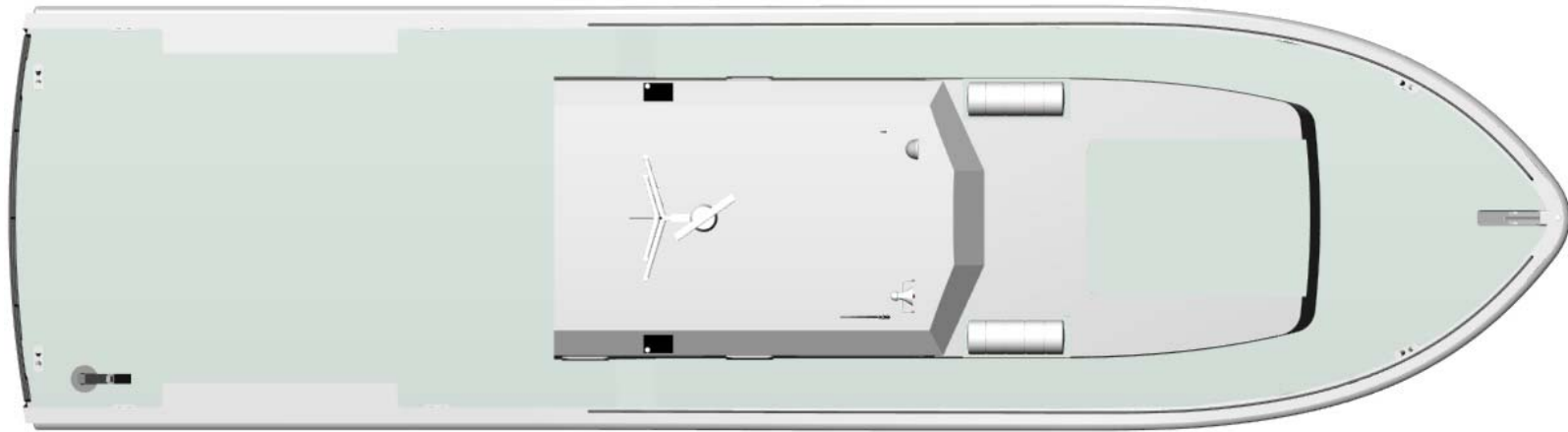
**Mark Williamson Design**  
48 Sweetgum St, Ashmore Qld 4214, Australia  
Ph: (617) 5597 3521      [www.mwdesign.net.au](http://www.mwdesign.net.au)



# LightCraft

Aluminium Workboats

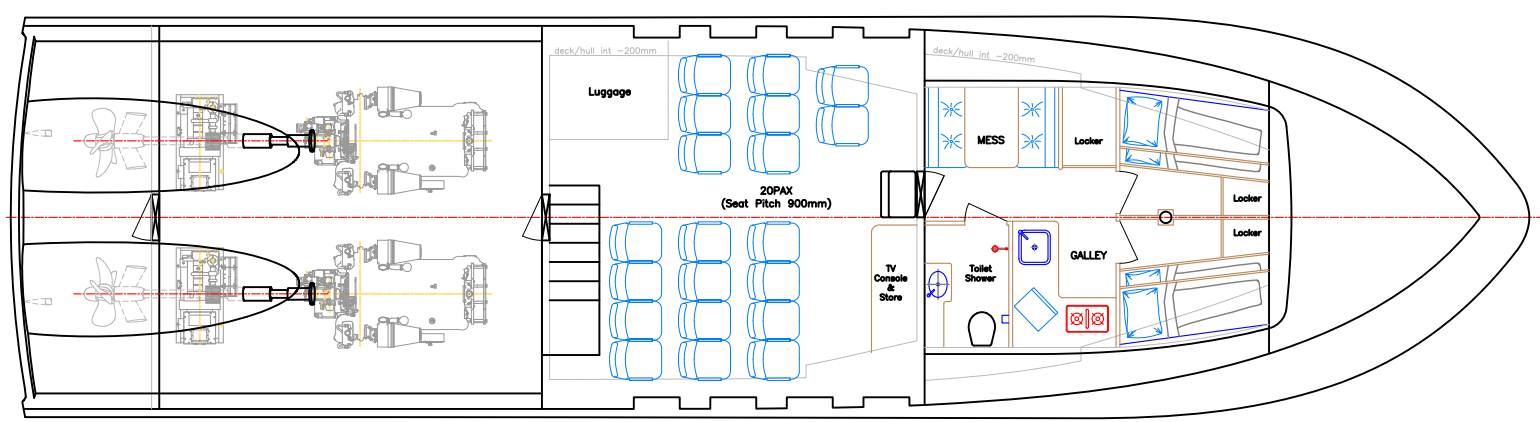
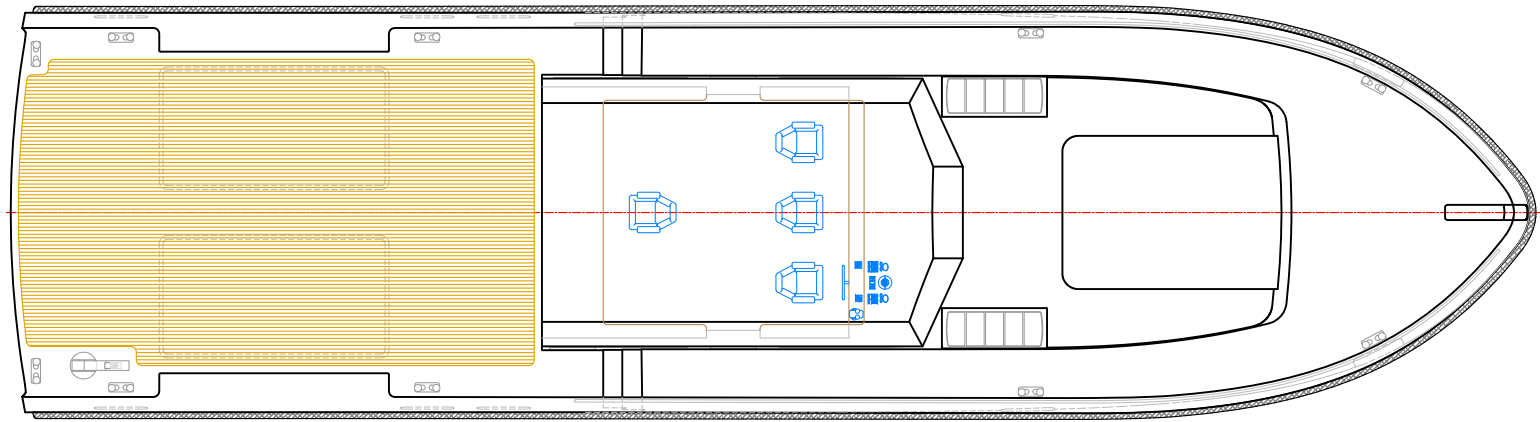
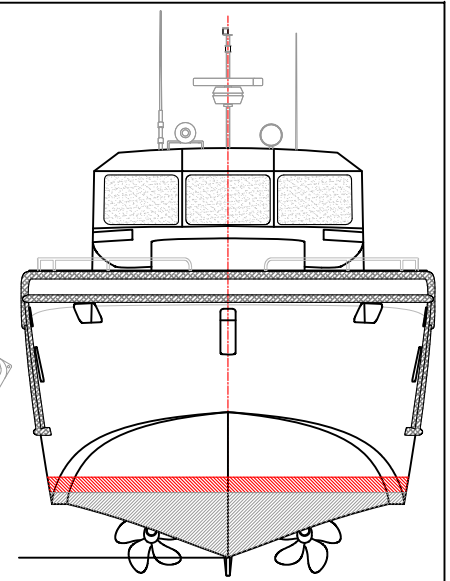
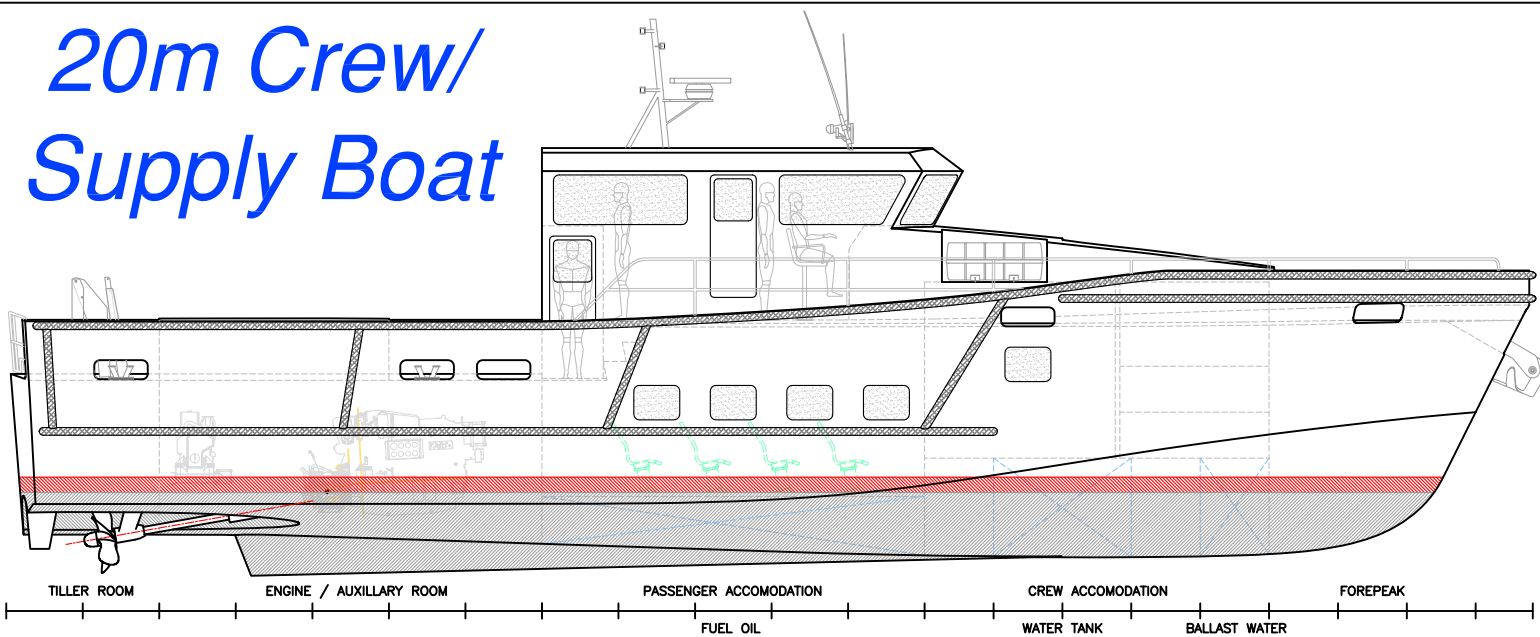
## 20m Crew / Supply Boat



**Mark Williamson Design**

48 Sweetgum St, Ashmore Qld 4214, Australia  
Ph: (617) 5597 3521 [www.mwdesign.net.au](http://www.mwdesign.net.au)

# 20m Crew/ Supply Boat



**PRINCIPAL PARTICULARS**

LOA:	20.0m
Lmoulded:	19.8m
LWL:	18.5m
BEAM:	5.4m
DEPTH:	2.2m
DRAFT:	1.1m
SHIPS FUEL:	8200lts
SHIPS WATER:	4000lts
MAIN ENGINE:	2 x Cat C18
int:	651kW @ 2200rpm
cont:	533kW @ 2100rpm
GEARBOX:	2 x ZF325-1a
PROPULSION:	2 x 36" FPP
AUXILIARY:	2 x 25kVa

SPEED: 9t dwt (prelim)	
100%MCR (int):	27knots
100%MCR (cont):	23knots
RANGE:	
100%MCR (cont):	600nm

PAYLOAD	
PASSENGERS:	20
CREW:	4
CARGO DECK AREA:	27m2
CARGO DECK LOAD:	7.5t
BALLAST:	1800ltrs

SURVEY STANDARD:	
CLASSIFICATION:	Lloyds +100 A1 SSC Workboat Mono, HSC, G4
SURVEY:	NSCV 1A
CONSTRUCTION:	ALUMINIUM

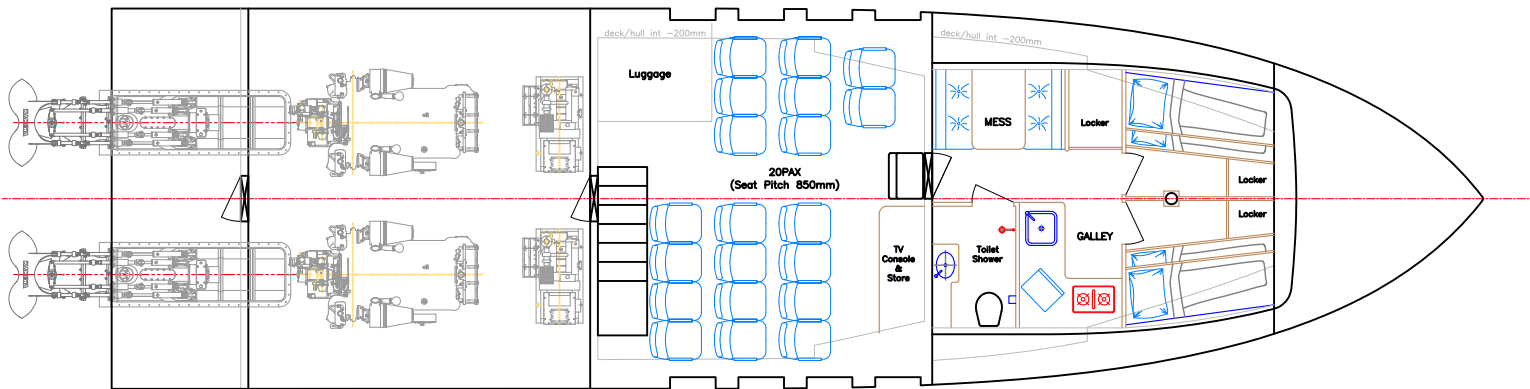
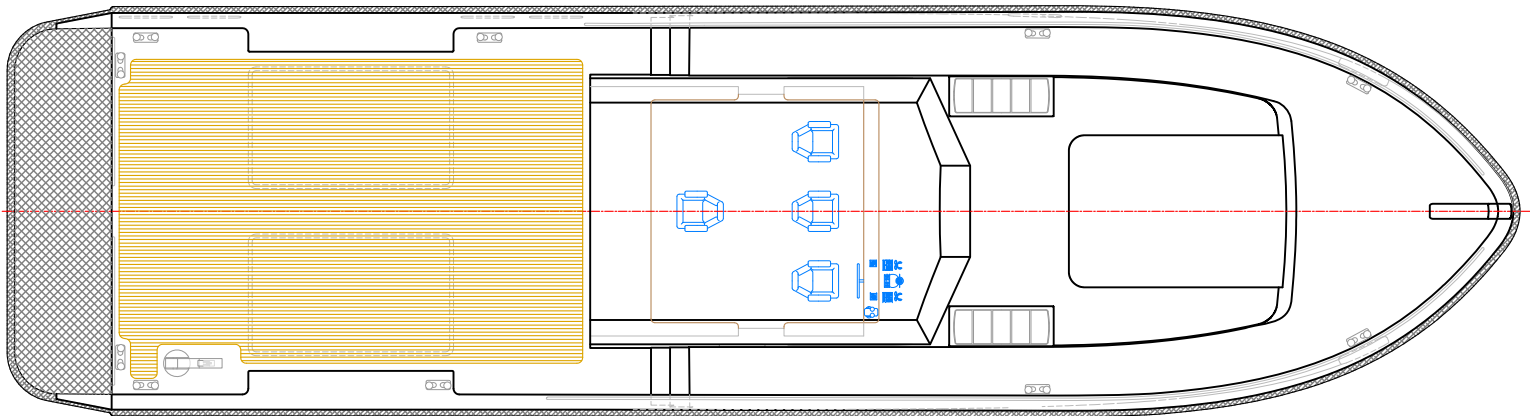
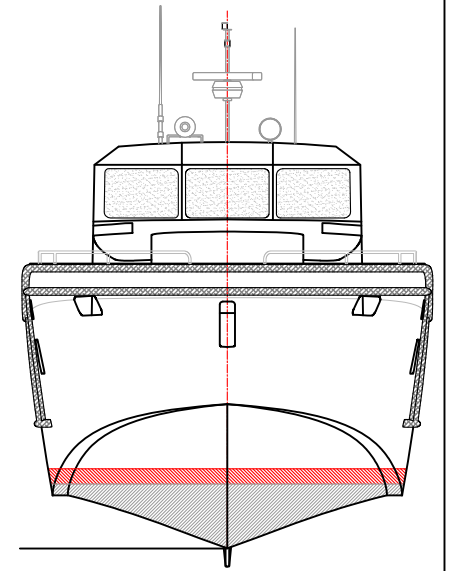
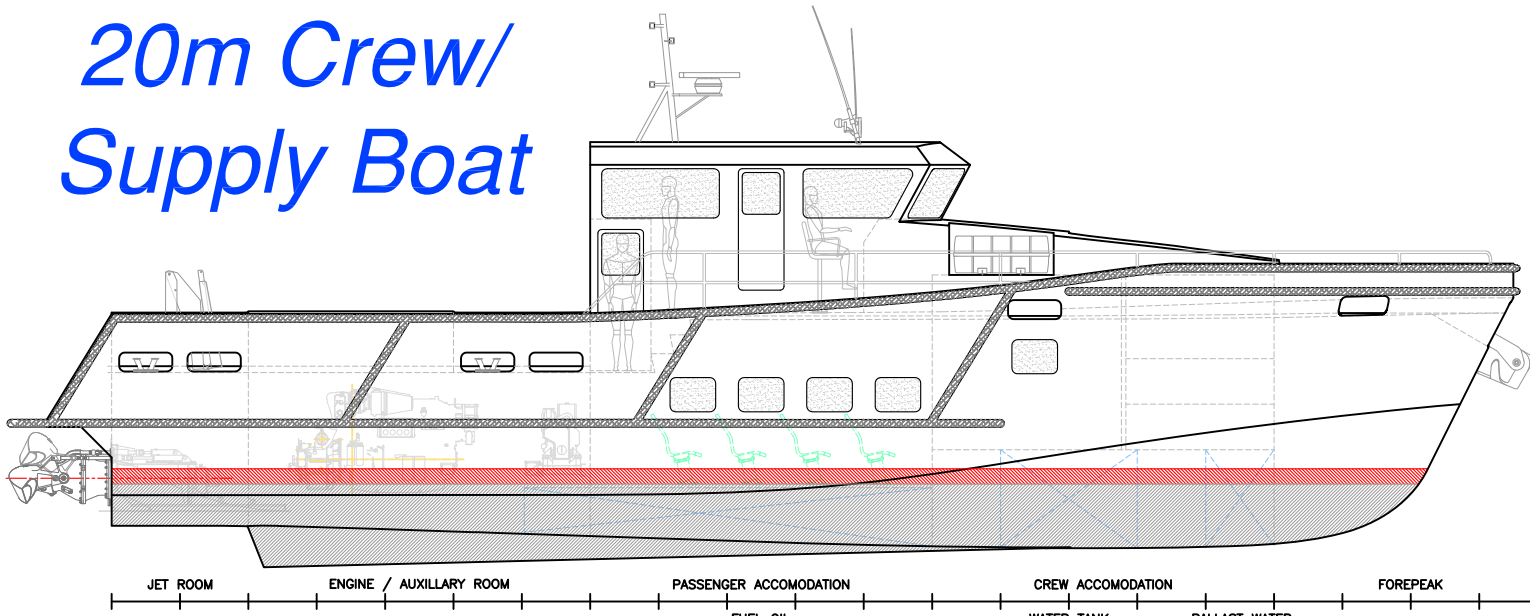
VESSEL: 19.9m CREW / SUPPLY VESSEL  
TITLE: GENERAL ARRANGEMENT  
DWG No: 20C-100  
DATE: 28/8/2009  
SCALE:  
DRAWN: MDW

**MARK WILLIAMSON DESIGN**  
Consulting Naval Architects & Mechanical Engineers  
48 Sweaturn St Ashmore, Queensland 4214, Australia  
Ph: 617 5597 3521 www.mwdesign.net.au

COPYRIGHT © THIS DRAWING AND THE INFORMATION CONTAINED HEREON IS SUPPLIED ON THE UNDERSTANDING THAT IT IS THE EXCLUSIVE PROPERTY OF MARK WILLIAMSON DESIGN PTY. LTD. AND MUST NOT BE USED OR REPRODUCED IN WHOLE OR IN PART WITHOUT PERMISSION IN WRITING.

# 20m Crew/ Supply Boat

**LightCraft**  
Aluminium Workboats



## PRINCIPAL PARTICULARS

LOA:	19.9m
Lmoulded:	18.5m
LWL:	17.2m
BEAM:	5.6m
DEPTH:	2.2m
DRAFT:	1.1m
SHIPS FUEL:	8200lts
SHIPS WATER:	4000lts
MAIN ENGINE:	2 x Cat C18
int:	651kW @ 2200rpm
cont:	533kW @ 2100rpm
GEARBOX:	2 x ZF325-1
PROPULSION:	2 x RR FF500
AUXILLARY:	2 x 25kVa

SPEED: 9t dwt (prelim)	
100%MCR (int):	28knots
100%MCR (cont):	23knots
RANGE:	
100%MCR (cont):	600nm

PAYLOAD	
PASSENGERS:	20
CREW:	4
CARGO DECK AREA:	24m <sup>2</sup>
CARGO DECK LOAD:	7.5t
BALLAST:	1800ltrs

SURVEY STANDARD:	
CLASSIFICATION:	Lloyds +100 A1 SSC Workboat Mono, HSC, G4
SURVEY:	NSCV 1A
CONSTRUCTION:	ALUMINIUM

VESSEL: 18.5m CREW / SUPPLY VESSEL  
TITLE: GENERAL ARRANGEMENT  
DWG No: 18.5C-100  
DATE: 27/7/2009  
SCALE:  
DRAWN: MDW

**MARK WILLIAMSON DESIGN**  
Consulting Naval Architects & Mechanical Engineers  
48 Sweethum St. Ashmore, Queensland 4214, Australia  
Ph: 617 5597 3521 www.mwdesign.net.au

COPYRIGHT © THIS DRAWING AND THE INFORMATION CONTAINED HEREON IS SUPPLIED ON THE UNDERSTANDING THAT IT IS THE EXCLUSIVE PROPERTY OF MARK WILLIAMSON DESIGN PTY. LTD. AND MUST NOT BE USED OR REPRODUCED IN WHOLE OR IN PART WITHOUT PERMISSION IN WRITING.