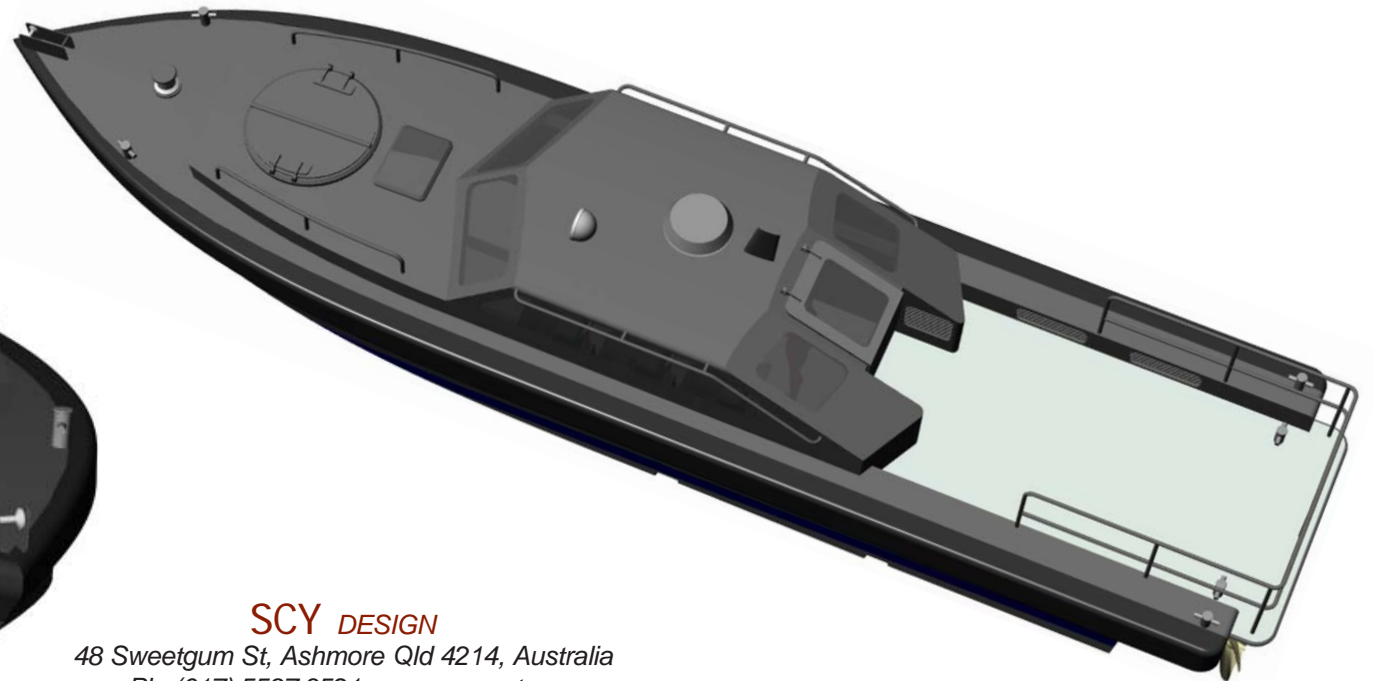


LightCraft SRB

11m Interceptor



SCY DESIGN

48 Sweetgum St, Ashmore Qld 4214, Australia
Ph: (617) 5597 3521 www.scy.net.au

LightCraft SRB

11m Interceptor

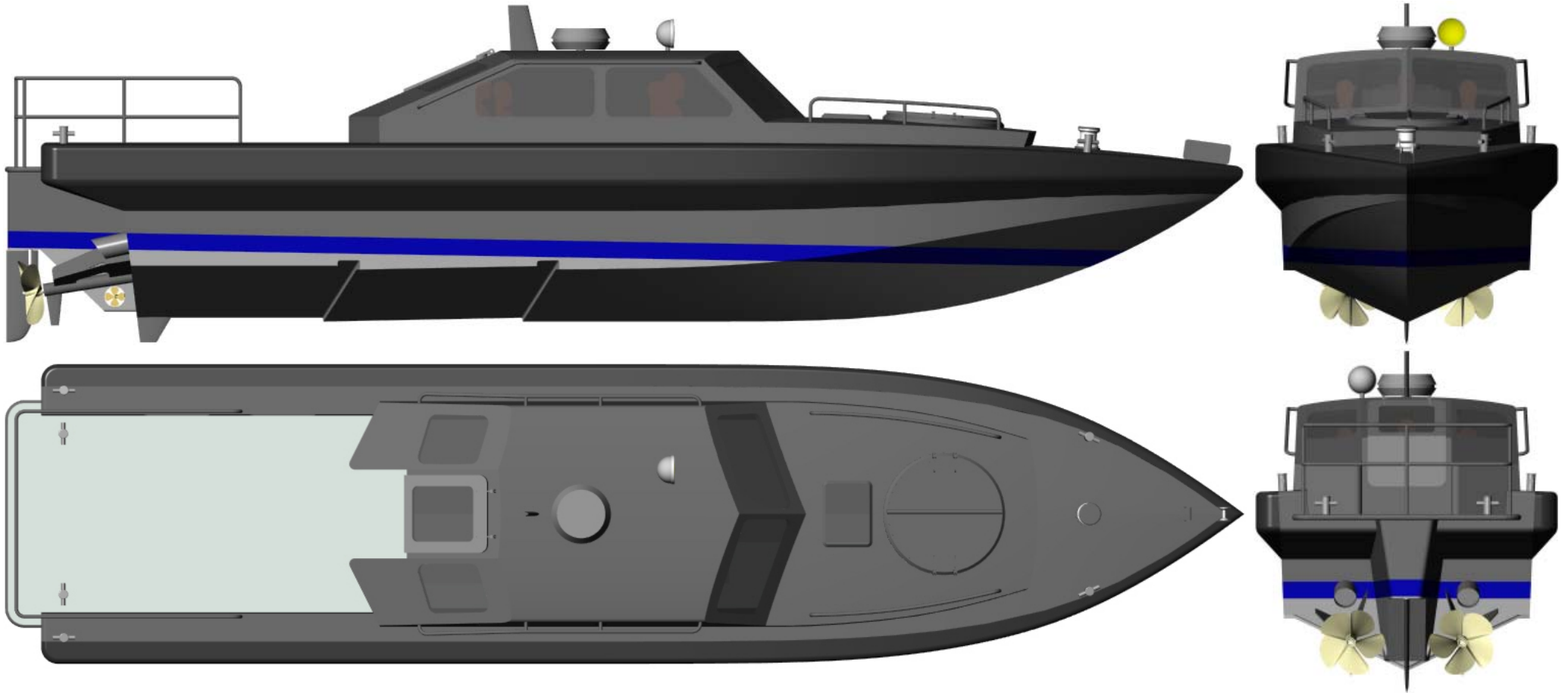


SCY DESIGN
48 Sweetgum St, Ashmore Qld 4214, Australia
Ph: (617) 5597 3521 www.scy.net.au



LightCraft SRB

11m Interceptor



LOA : 11.3m
Lmoulded: 10.1m
LWL : 8.7m
Beam : 2.7m
Bchine : 2.2m
Draft : 0.6m
Deadrise: 22deg.

Classification Standard:
DNV R3

Survey: NSCV 2C
2+4 Restricted Offshore
Operations 30nm

Construction :
Hull - Marine Grade Aluminium
Deckhouse - Composite

Fender:
45mm EVA foam coated with
4mm Elastomeric Polyurethane

SCY DESIGN
48 Sweetgum St, Ashmore Qld 4214, Australia
Ph: (617) 5597 3521 www.scy.net.au



LOA: 11.2m
 Lmoulded: 9.9m
 LWL: 8.7m
 BEAM: 2.7m
 Bchine: 2.2m
 DRAFT: 0.70m
 DEADRISE: 22deg.
 FUEL: 500lts

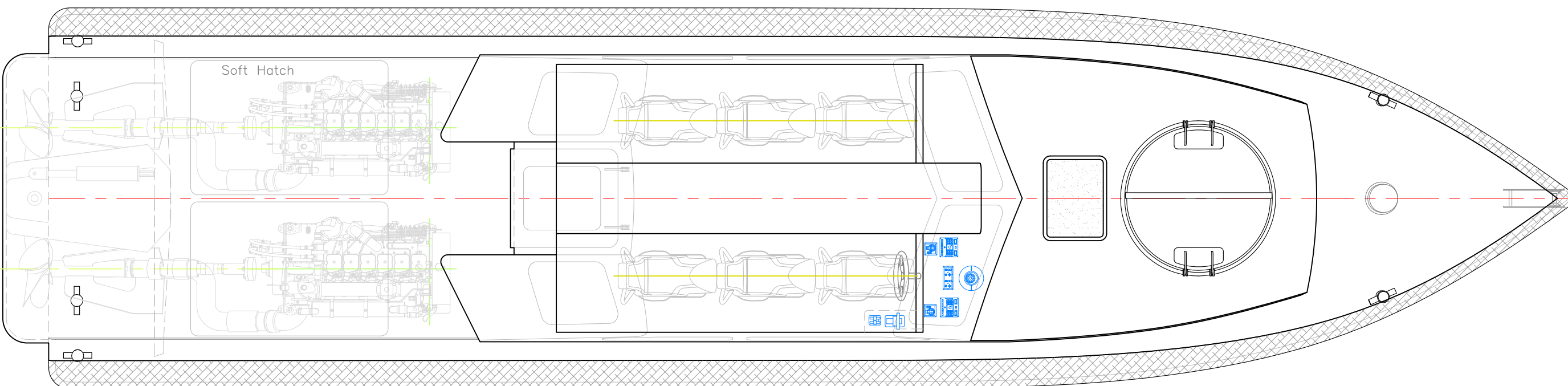
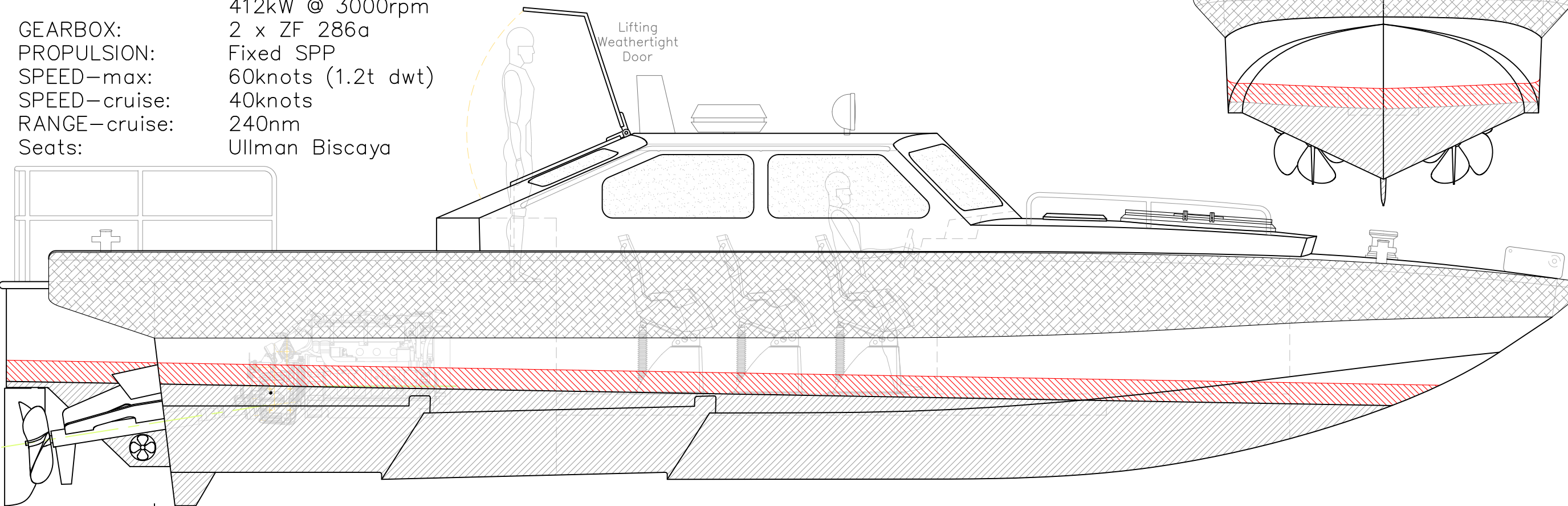
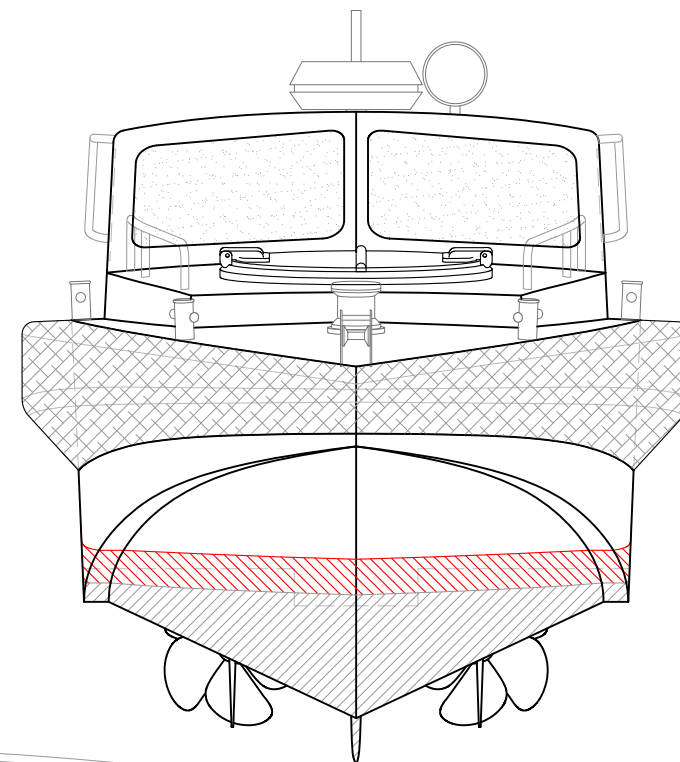
MAIN ENGINES: 2 x Iveco N67
 412kW @ 3000rpm
 GEARBOX: 2 x ZF 286a
 PROPULSION: Fixed SPP
 SPEED-max: 60knots (1.2t dwt)
 SPEED-cruise: 40knots
 RANGE-cruise: 240nm
 Seats: Ullman Biscaya

FENDER DETAIL:
 45mm EVA foam coated with
 4mm Elastomeric Polyurethane
 Depth 450mm aft

CLASS STANDARD:
 DNV R3

SURVEY: NSCV 2C
 4+2 Restricted Offshore
 Operations 30nm

CONSTRUCTION:
 HULL-MARINE GRADE ALUMINIUM
 DECKHOUSE-COMPOSITE



VESSEL: 11m FAST INTERCEPTOR

TITLE: GENERAL ARRANGEMENT

DWG No: 11FI-100

DATE: 3/11/2010

SCALE:

DRAWN: MDW

SCY Design

Consulting Naval Architects & Mechanical Engineers

48 Sweeigum St, Ashmore, Queensland 4214, Australia

Ph: 617 5597 3521

www.scy.net.au