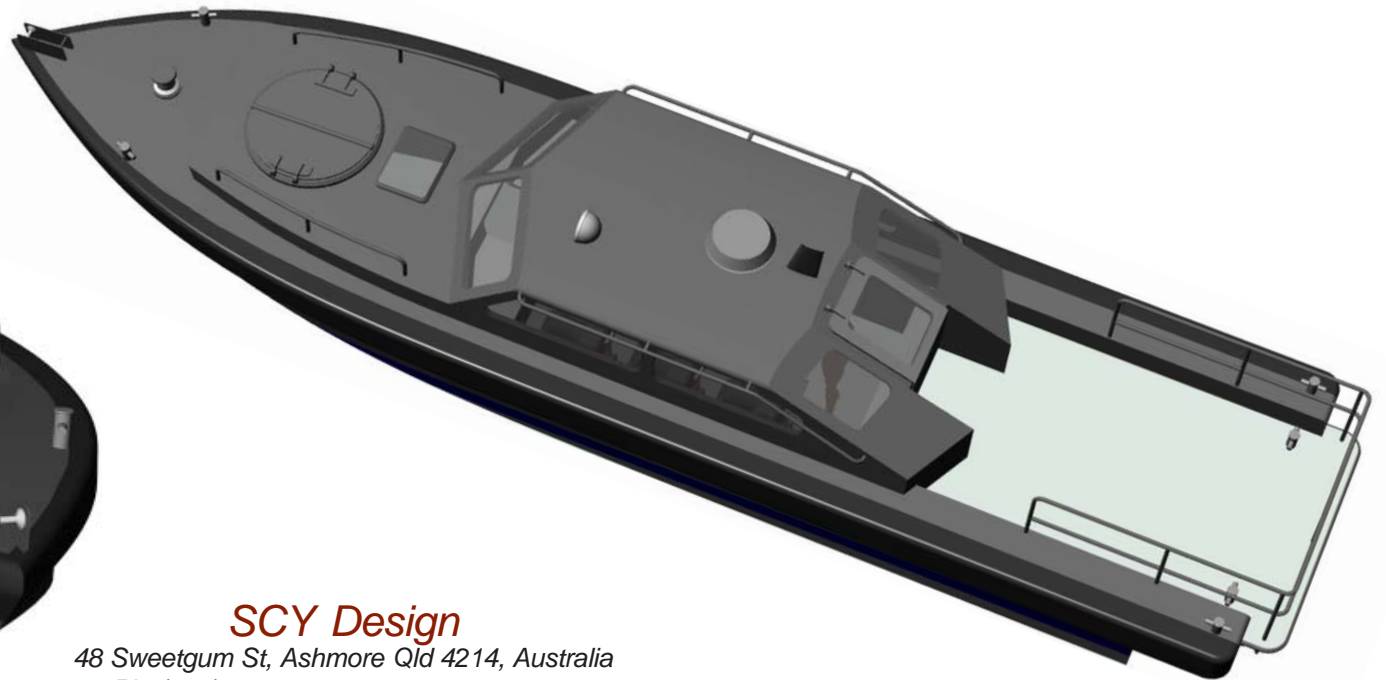


LightCraft SRB

11m Interceptor



SCY Design

48 Sweetgum St, Ashmore Qld 4214, Australia
Ph: (617) 5597 3521 www.scy.net.au

LightCraft SRB

11m Interceptor



SCY Design
48 Sweetgum St, Ashmore Qld 4214, Australia
Ph: (617) 5597 3521 www.scy.net.au



LightCraft SRB

11m Interceptor



LOA : 11.3m
Lmoulded: 10.1m
LWL : 8.7m
Beam : 2.7m
Bchine : 2.2m
Draft : 0.6m
Deadrise: 22deg.

Classification Standard:
DNV R3

Survey: NSCV 2C
2+4 Offshore Operations 30nm

Construction :
Hull - Marine Grade Aluminium
Deckhouse - Composite

Fender:
45mm EVA foam coated with
4mm Elastomeric Polyurethane

SCY Design
48 Sweetgum St, Ashmore Qld 4214, Australia
Ph: (617) 5597 3521 www.scy.net.au



LOA: 11.3m
 Lmoulded: 10.1m
 LWL: 8.7m
 BEAM: 2.7m
 DRAFT: 0.60m
 DEADRISE: 25deg.
 FUEL: 500lts

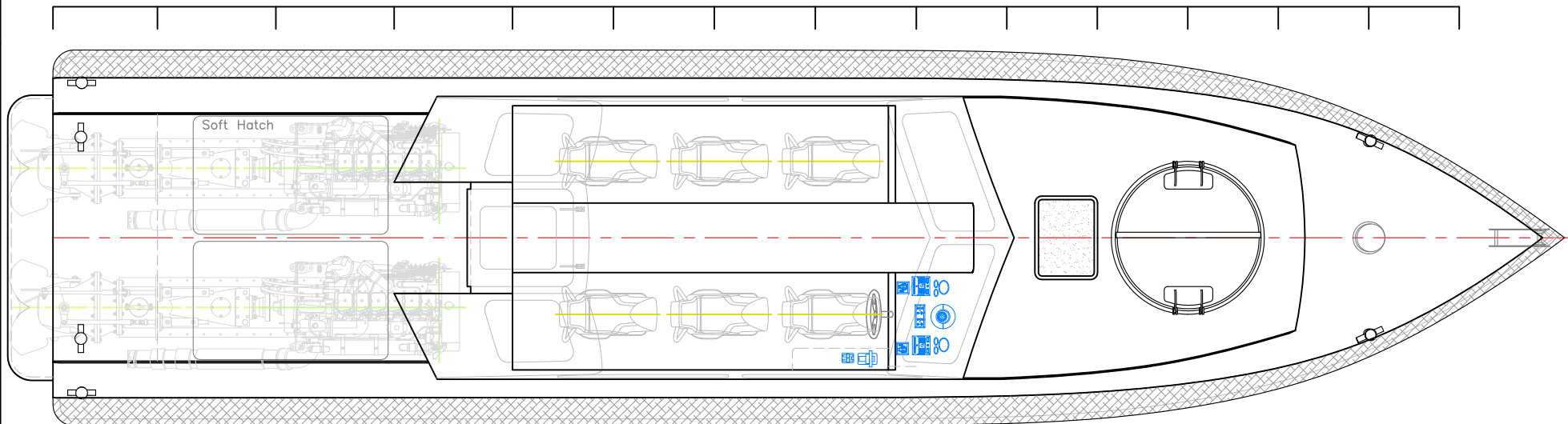
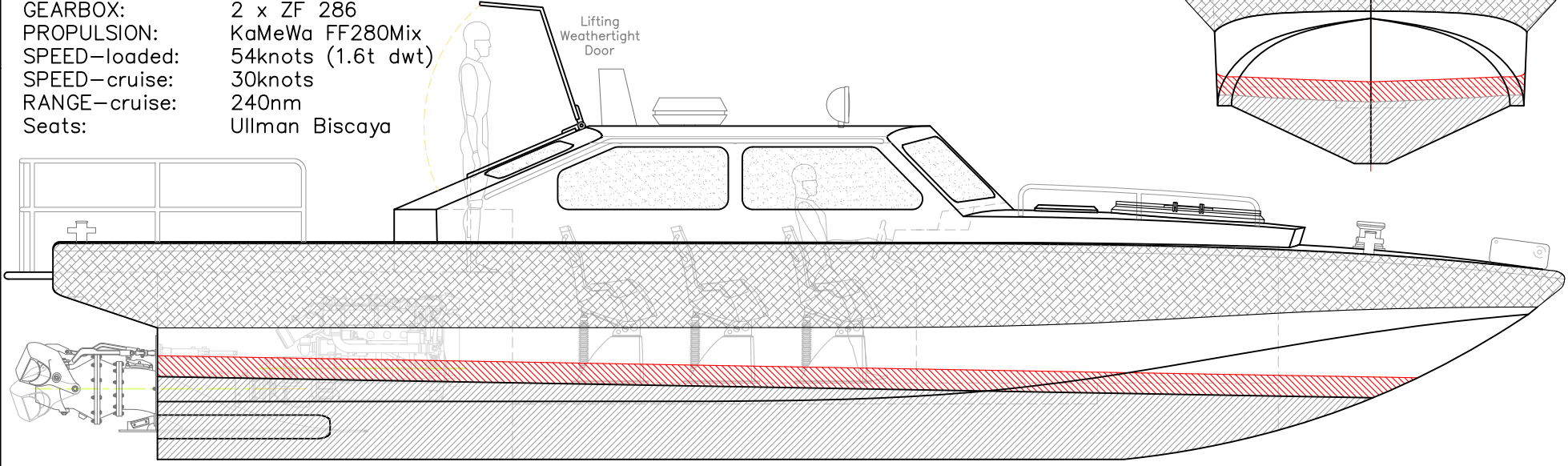
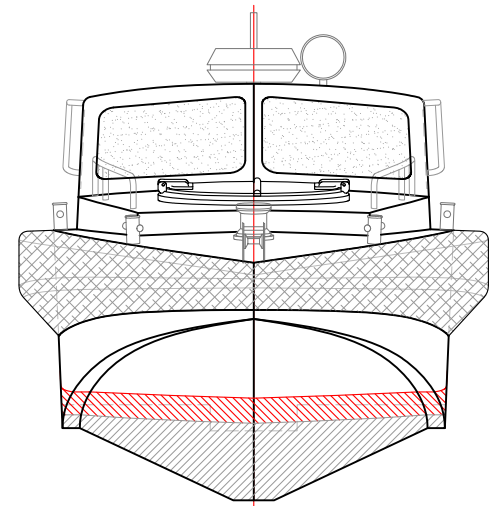
FENDER DETAIL:
 45mm EVA foam coated with
 4mm Elastomeric Polyurethane
 Depth 450mm aft

CLASS STANDARD:
 DNV R3

SURVEY: NSCV 2C
 4+2 Restricted Offshore
 Operations 30nm

CONSTRUCTION:
 HULL—MARINE GRADE ALUMINIUM
 DECKHOUSE—COMPOSITE

MAIN ENGINES: 2 x Iveco N67
 412kW @ 3000rpm
 GEARBOX: 2 x ZF 286
 PROPULSION: KaMeWa FF280Mix
 SPEED—loaded: 54knots (1.6t dwt)
 SPEED—cruise: 30knots
 RANGE—cruise: 240nm
 Seats: Ullman Biscaya



VESSEL: 11m FAST INTERCEPTOR
 TITLE: GENERAL ARRANGEMENT
 DWG No.: 11FI-100
 DATE: 1/6/2009
 SCALE:
 DRAWN: MDW
 SCY Design
 Consulting Naval Architects & Mechanical Engineers
 48 Sweeign St, Ashmore, Queensland 4214, Australia
 Ph: 617 5597 3521
 www.scy.net.au
 COPYRIGHT © THIS DRAWING AND THE INFORMATION CONTAINED HEREON IS SUPPLIED ON THE UNDERSTANDING THAT IT IS THE EXCLUSIVE PROPERTY OF SOUTHPORT CUSTOM YACHTS PTY. LTD. AND MUST NOT BE USED OR REPRODUCED IN WHOLE OR IN PART WITHOUT PERMISSION IN WRITING.

Ic11m Interceptor: Loadcase Summary

Iveco / RR A28

Load Conditons			WEIGHT	LCG	VCG	
			kg	m	m	
LC 1 - Light						
Lightship			5332	2.72	0.92	
fuel - main	25%	560	0.82	115	4.15	0.42
water		0	1.00	0	5.05	0.45
sullage		0	1.00	0	5.05	0.45
crew/effects		4	100	400	4.85	1.70
stores				50	2.85	1.20
Cargo		0	500	0	3.75	1.70
deadweight				565	4.53	1.40
departure condition				5897	2.89	0.96

LC 2 - Range						
Lightship				5332	2.72	0.92
fuel - main	50%	560	0.82	230	4.15	0.42
water		0	1.00	0	5.05	0.45
sullage		0	1.00	0	5.05	0.45
crew/effects		6	100	600	4.85	1.70
stores				150	2.85	1.20
Cargo		1	500	500	3.75	1.70
deadweight				1480	4.17	1.45
departure condition				6812	3.03	1.03

LC 3 - Maximum Load Condition						
Lightship				5332	2.72	0.92
fuel - main	100%	560	0.82	459	4.15	0.42
water		0	1.00	0	5.05	0.45
sullage		0	1.00	0	5.05	0.45
crew/effects		6	100	600	4.85	1.70
stores				150	2.85	1.20
Cargo		1	500	500	3.75	1.70
deadweight				1709	4.16	1.31
departure condition				7041	3.07	1.01