

LightCraft



10m Assault Craft

Structural Reserve Buoyancy



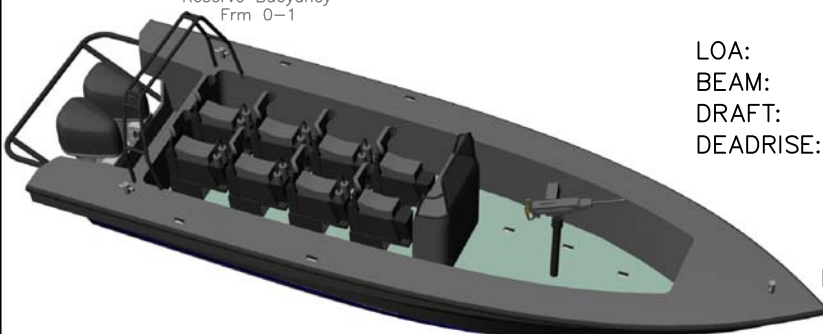
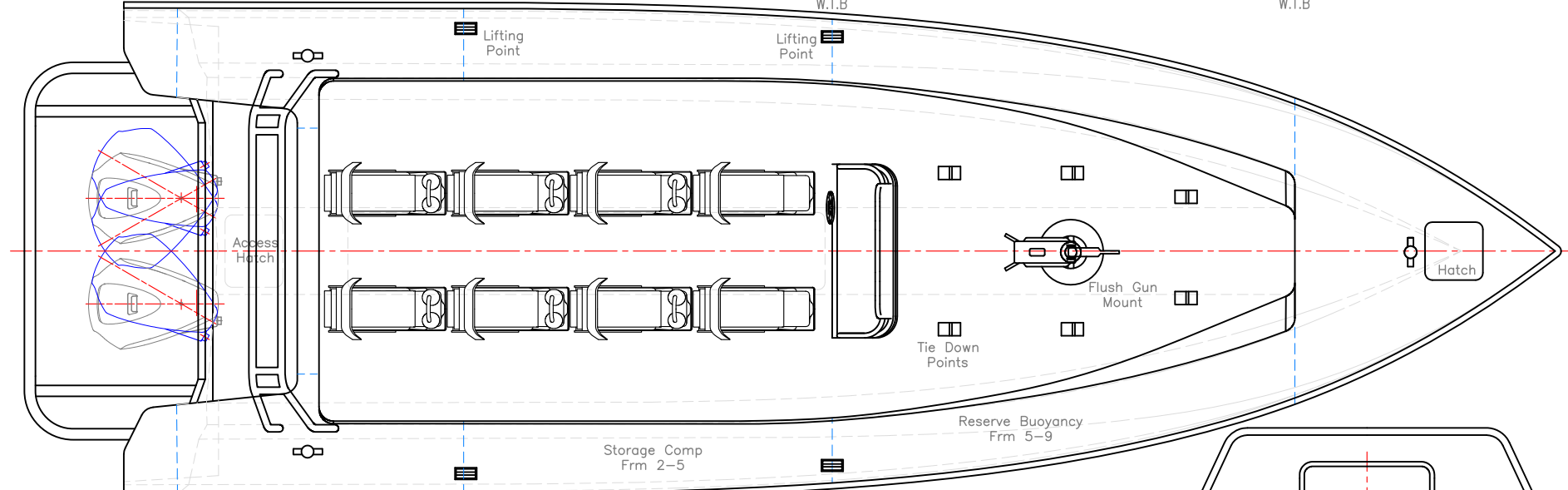
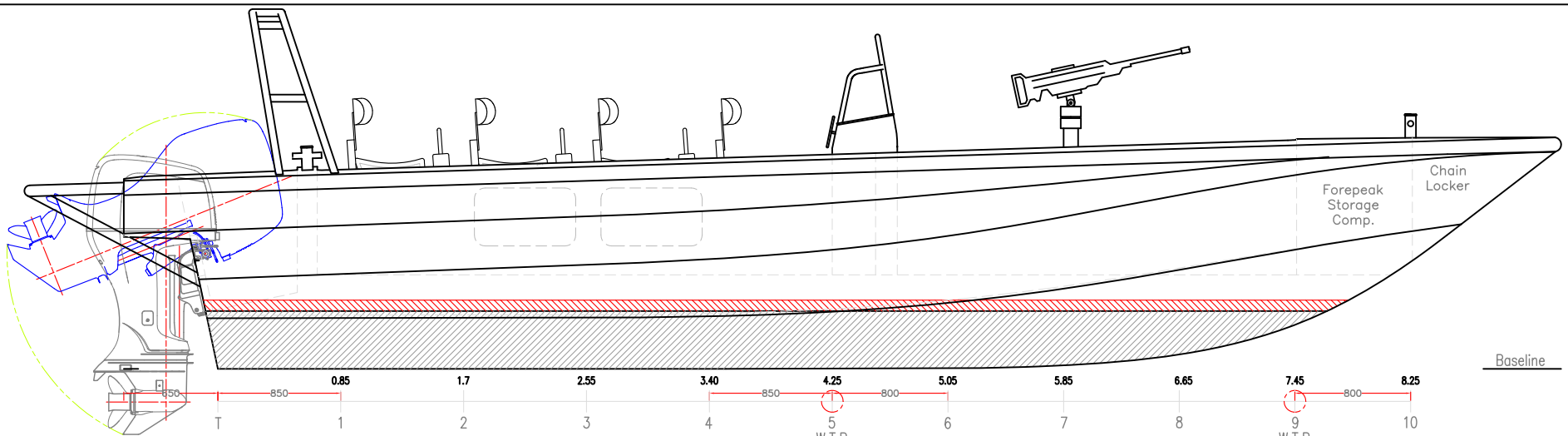
SCY Design

48 Sweetgum St, Ashmore Qld 4214, Australia

Ph: (617) 5597 3521 www.scy.net.au

LightCraft

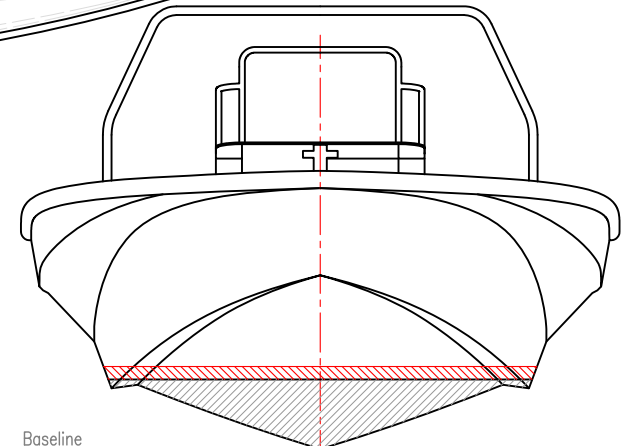
structural reserve buoyancy



PRINCIPAL PARTICULARS

LOA:	10m	SPEED:	50knots
BEAM:	3.36m	FUEL:	550lts
DRAFT:	0.45m	POWER:	2x300hp
DEADRISE:	19 Degrees	PAX:	2 + 6

CLASSIFICATION:
DNV R2 PATROL
CONSTRUCTION:
MARINE GRADE ALUMINIUM



VESSEL: 10m ASSAULT CRAFT
TITLE: GENERAL ARRANGEMENT
DMG No: 10A-100
DATE: 9/9/2005
SCALE:
DRAWN: MDW

SCY DESIGN
Consulting Naval Architects & Mechanical Engineers
48 Sweeign St, Ashmore, Queensland 4214, Australia
Ph: 617 5597 3521 www.rnwdesign.net.au

COPYRIGHT © THIS DRAWING AND THE INFORMATION CONTAINED HEREON IS SUPPLIED ON THE UNDERSTANDING THAT IT IS THE EXCLUSIVE PROPERTY OF SOUTHPORT CUSTOM YACHTS PTY. LTD. AND MUST NOT BE USED OR REPRODUCED IN WHOLE OR IN PART WITHOUT PERMISSION IN WRITING.