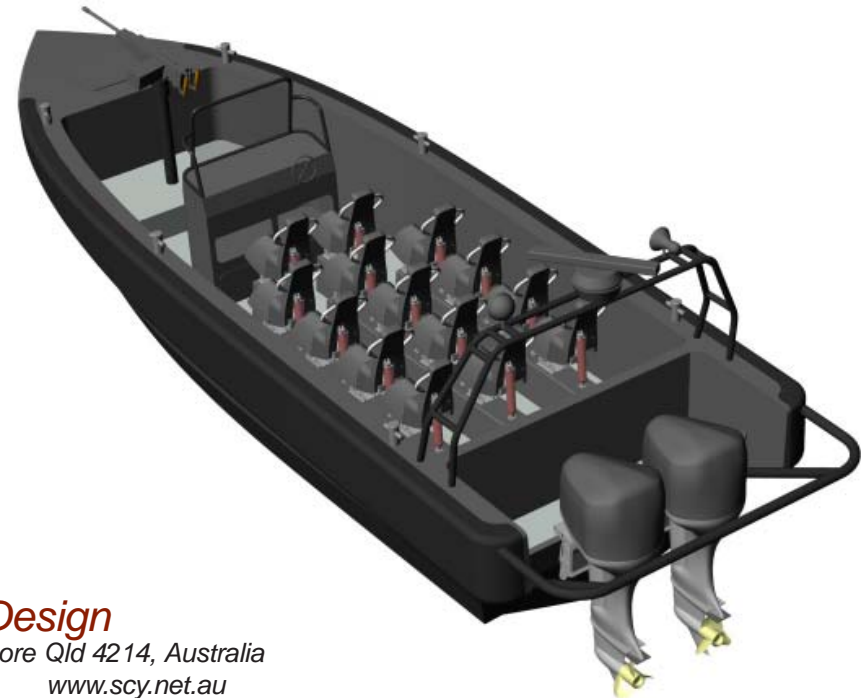
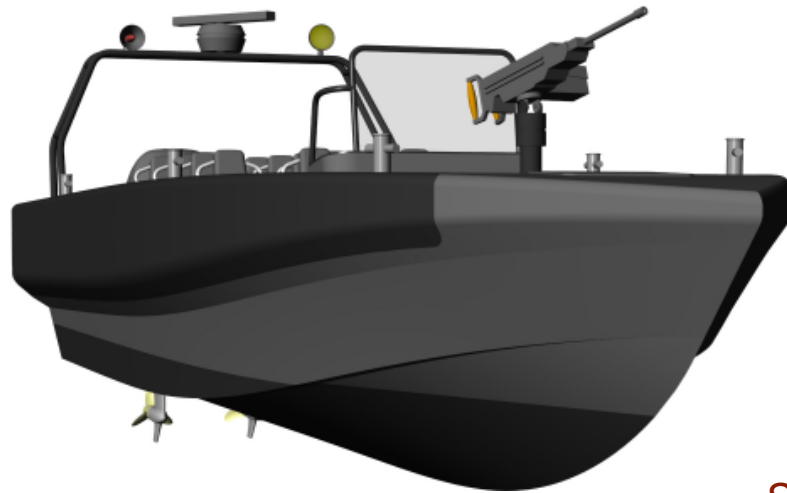
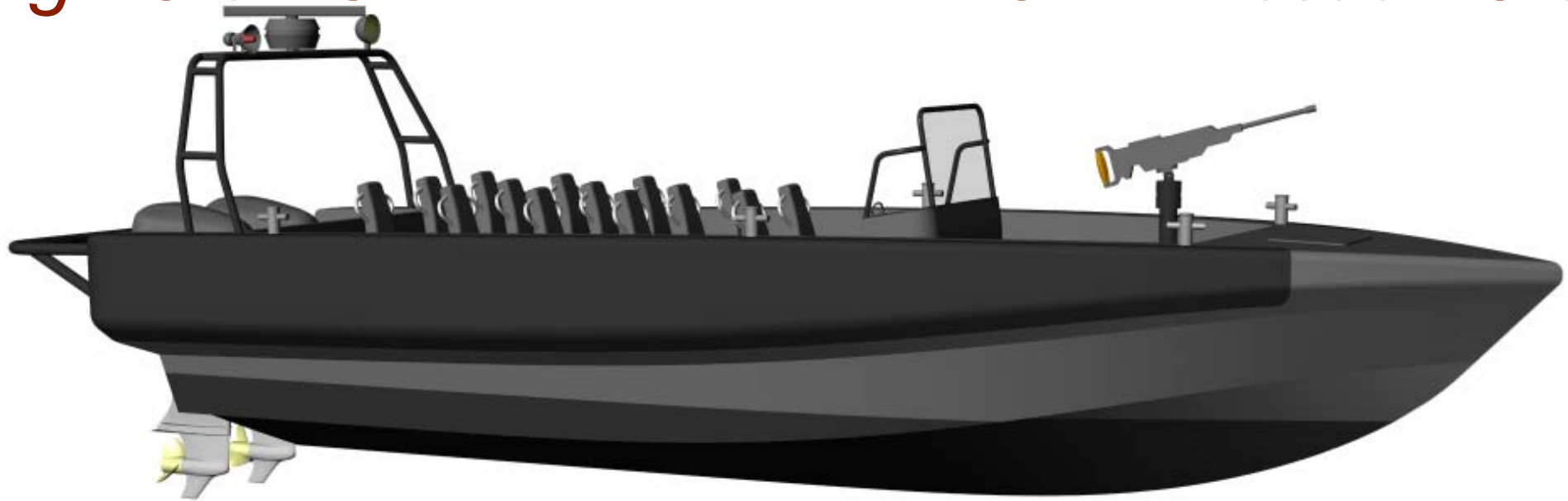


# LightCraft SRB

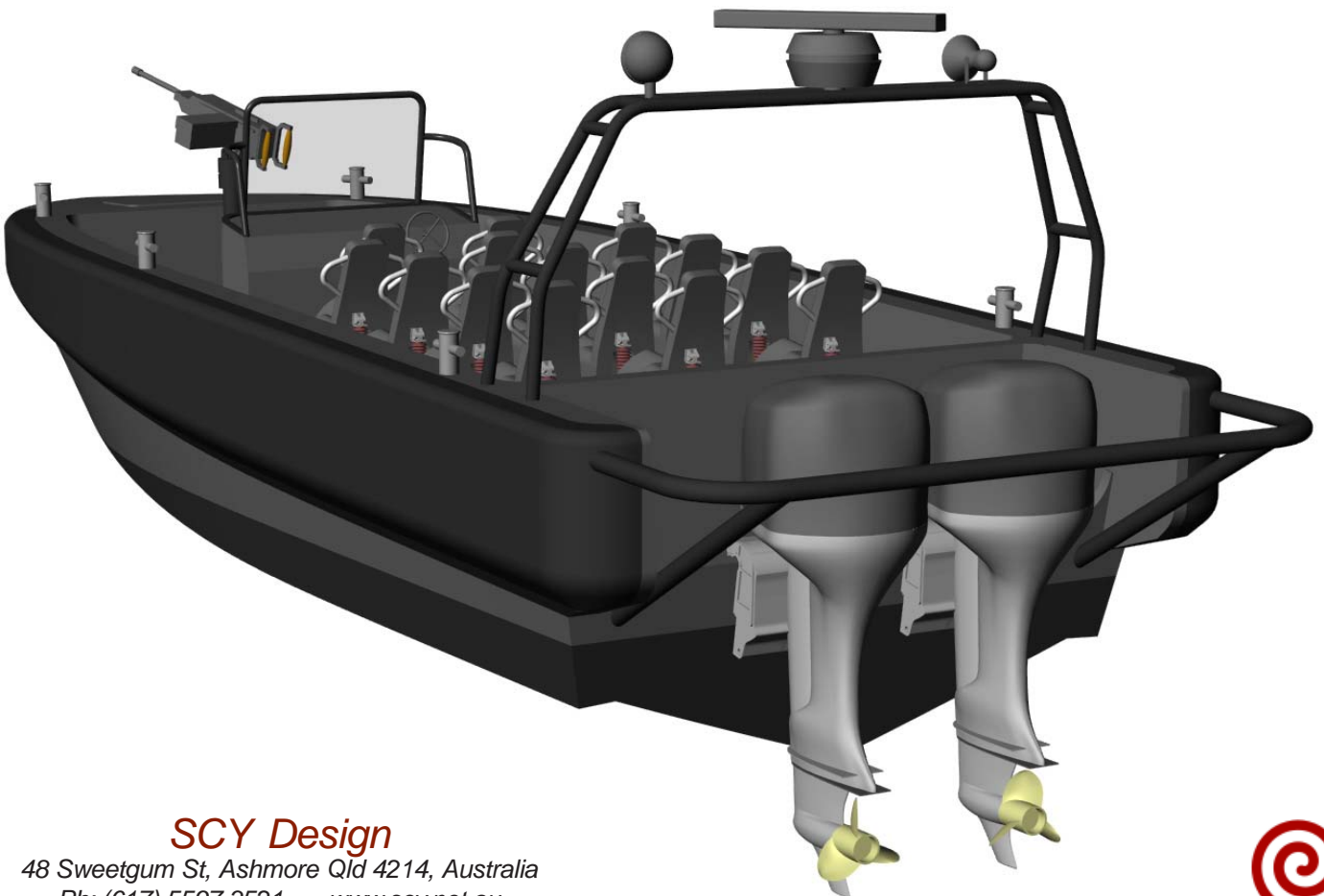
# 8.4m Assault Craft



**SCY Design**  
48 Sweetgum St, Ashmore Qld 4214, Australia  
Ph: (617) 5597 3521    [www.scy.net.au](http://www.scy.net.au)



# *LightCraft SRB 8.4m Assault Craft*



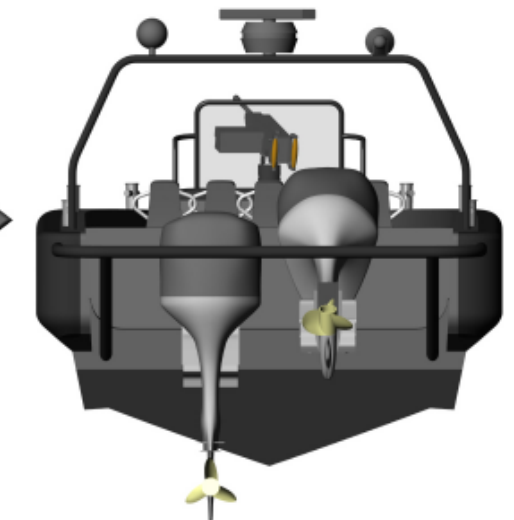
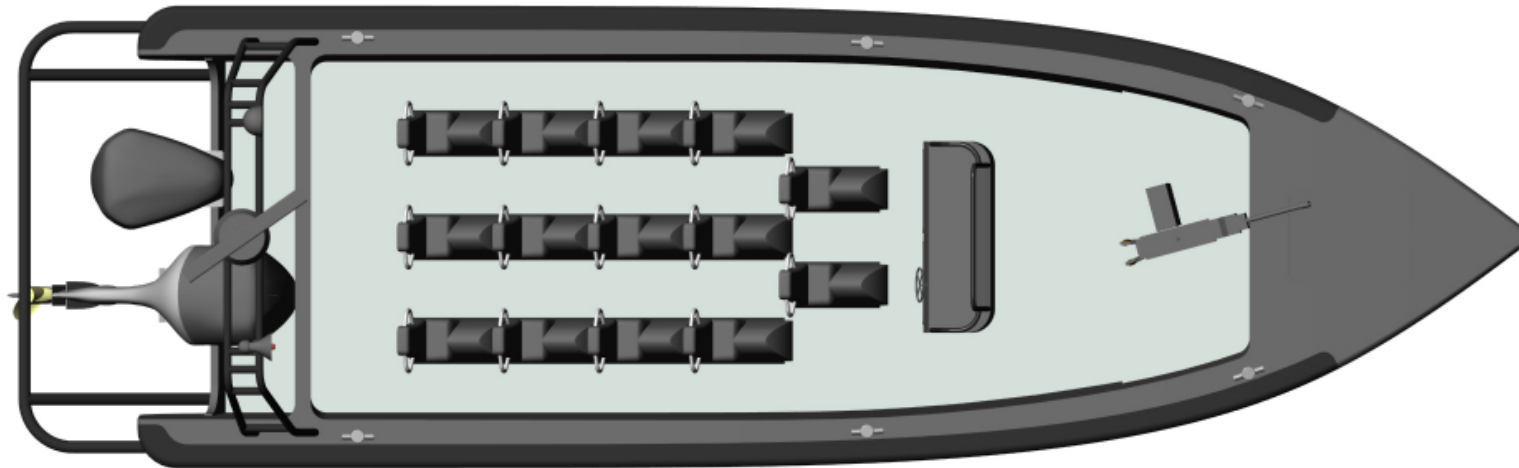
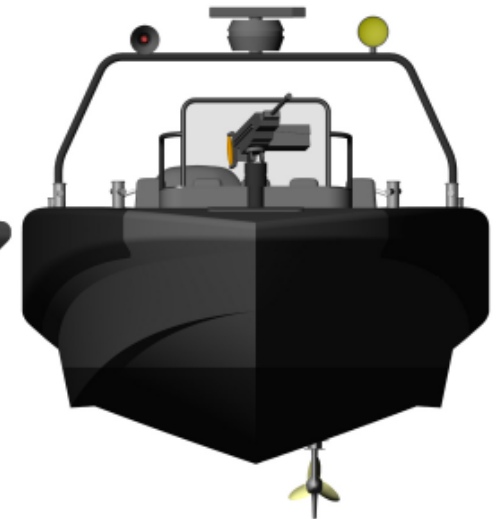
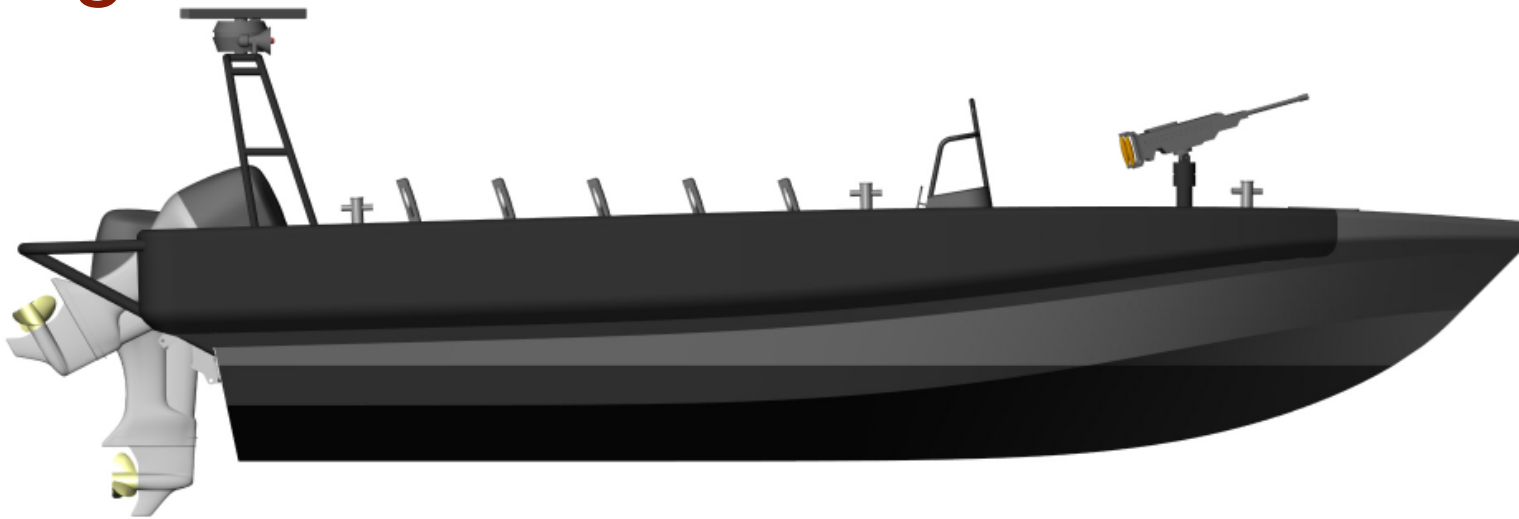
**SCY Design**

48 Sweetgum St, Ashmore Qld 4214, Australia  
Ph: (617) 5597 3521    [www.scy.net.au](http://www.scy.net.au)



# LightCraft SRB

# 8.4m Assault Craft



LOA : 9.5m  
Lmoulded: 8.4m  
LWL : 7.2m  
Beam : 2.9m  
Draft : 0.5m

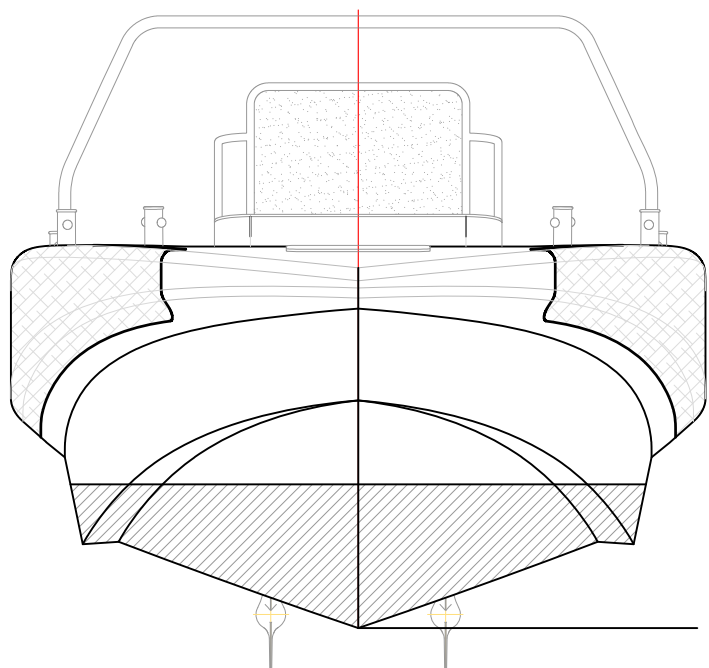
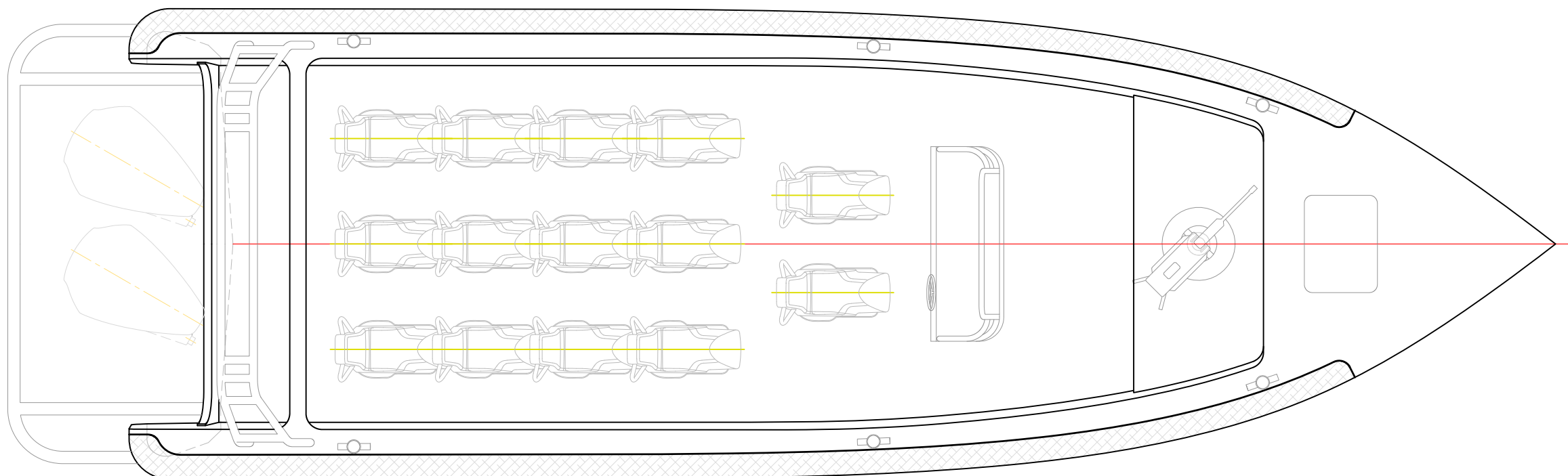
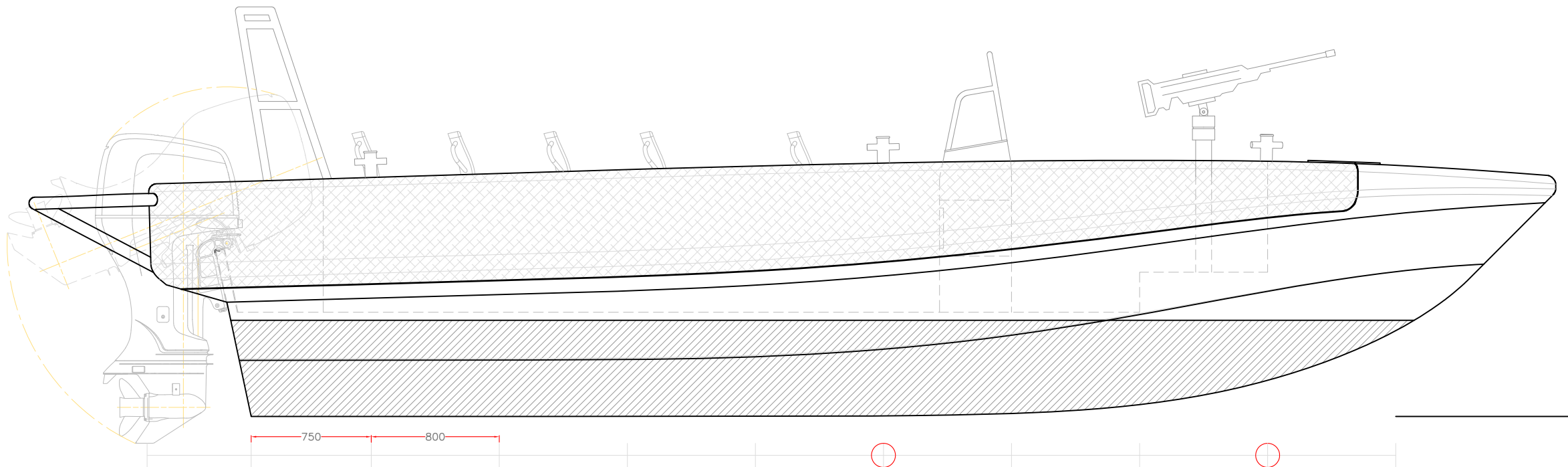
Deadrise: 20deg.  
Fuel : 500lts  
Power : 2 x 300HP  
Speed : 50knots

Classification :  
DNV R2 PATROL

Construction :  
Marine Grade Aluminium

**SCY Design**  
48 Sweetgum St, Ashmore Qld 4214, Australia  
Ph: (617) 5597 3521 [www.scy.net.au](http://www.scy.net.au)





LOA: 9.5m  
Lmoulded: 8.4m  
Lwl: 7.2m  
Bmax: 2.9m  
Bmoulded: 2.8m  
Bchine: 2.3m  
DRAFT: 0.5m  
DEADRISE: 20 Degrees  
RESERVE BUOYANCY: 2.84m<sup>3</sup>

PRINCIPAL PARTICULARS

SPEED: 50knots  
FUEL: 550lts  
POWER: 2x300hp  
PAX: 2 + 12

CLASSIFICATION: DNV R2 PATROL  
CONSTRUCTION: MARINE GRADE ALUMINIUM

FENDER DETAIL:  
45mm EVA foam coated with  
4mm Elastomeric Polyurethane  
Depth 650mm aft

SEATING:  
Ullman Biscaya  
with Storage Pod  
12+2

**8.4m SRB Assault Craft**

## GENERAL VESSEL DESCRIPTION

### VESSEL TYPE:

High Speed Aluminium hard chined planing monohull. Suitable for a wide range of applications including military, search and rescue, law enforcement, commercial, and pleasure. The lightweight Aluminium structure is designed to the highest standard for extreme offshore applications. Structural reserve buoyancy (SRB) above deck in aluminium side tanks. Deck layout can be varied to meet client requirements, standard options include; centre console, targa tops, walkaround half cabin, walkaround hardtop and full cabin.

### PRINCIPAL PARTICULARS

LOA :	9.5m		
Lmoulded :	8.4m		
LWL :	7.2m		
Beam Max :	3.2m	Beam Chine :	2.3m
Beam Moulded :	2.8m	Beam Internal :	2.3m
Draft :	0.5m	Freeboard (fwd):	1.5m
Dearise:	20deg		
Trsm Depth:	30inch		
Fuel :	500 lts		
Construction :	Marine Grade Aluminium		
Classification :	DNV R2 PATROL		
Main Engines :	2 x 300HP Outboards		
Max Speed :	50 knots @ 100% MCR		
Range :	150nm +		
Max Load :	2000kg		
Passenger :	2 + 12		

### FUEL TANK DETAILS:

Petrol: Aluminium Free standing

### FENDER DETAIL:

45mm EVA foam coated with 4mm Elastomeric Polyurethane, Depth 650mm aft  
Reserve Volume above deck: 2.84m<sup>3</sup>

### STRUCTURE:

Materials:	
Sheet and Plate	Grade 5083-H321, H116, 5086-H32
Extrusions	Grade 6061-T6, 6082-T5

Plating:	Bottom	5mm
	Chine	5mm
	Transom	5mm
	Side, Collar	4mm
	Deck, Gunwale	4mm

**SCY Design**

48 Sweetgum St, Ashmore Qld 4214, Australia  
Ph: (617) 5597 3521 [www.scy.net.au](http://www.scy.net.au)

