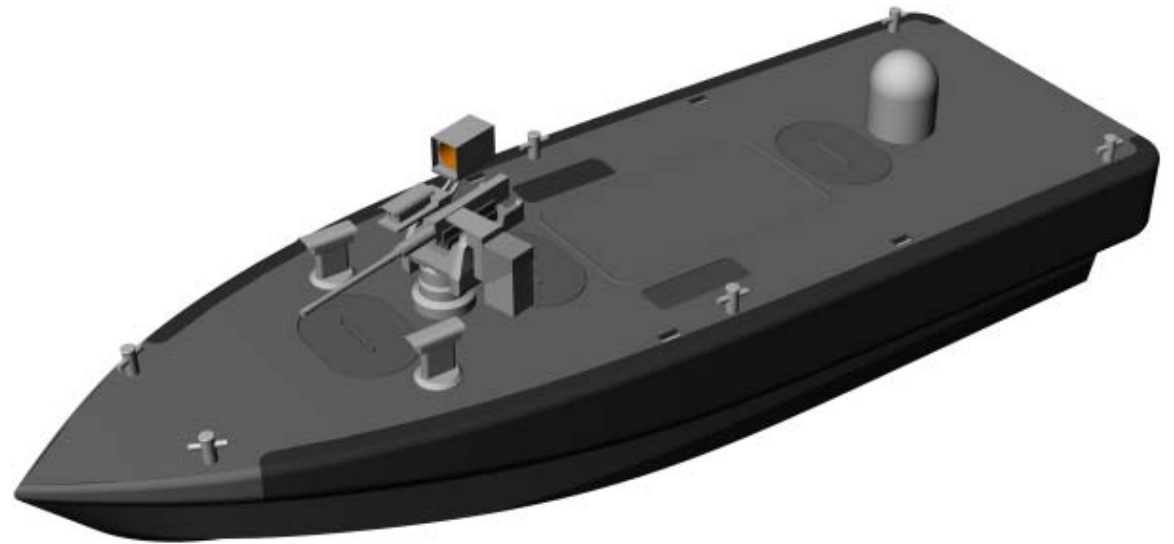
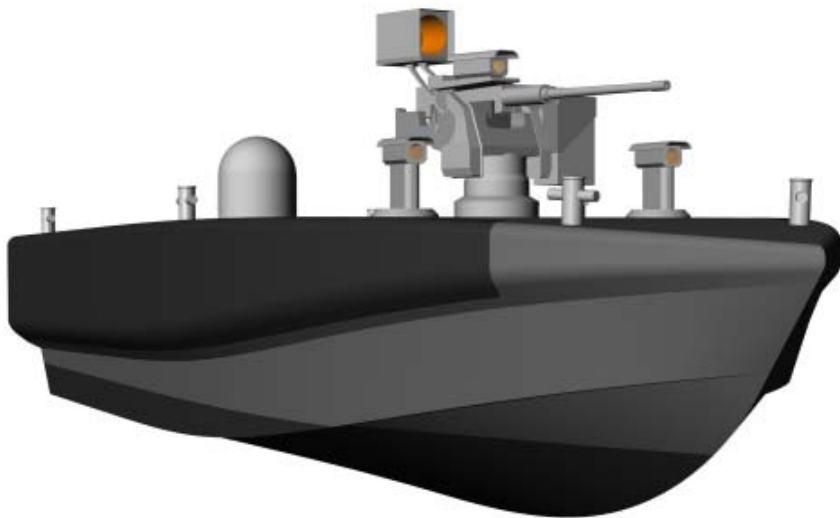
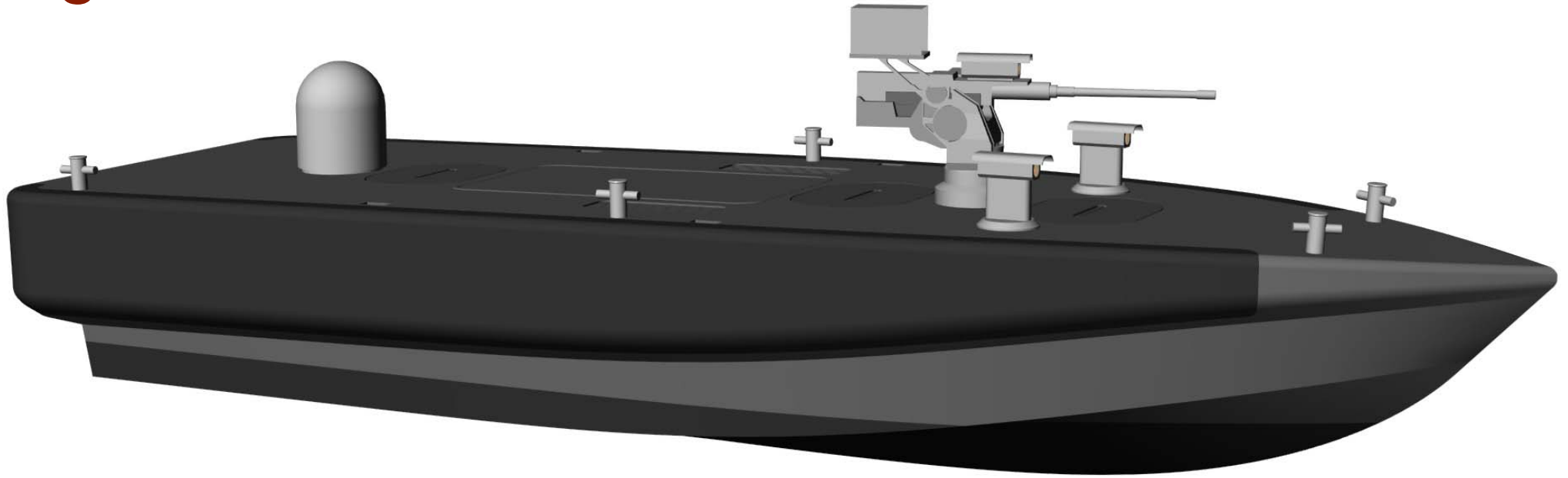


LightCraft SRB

6.8m Unmanned Vessel



SCY Design

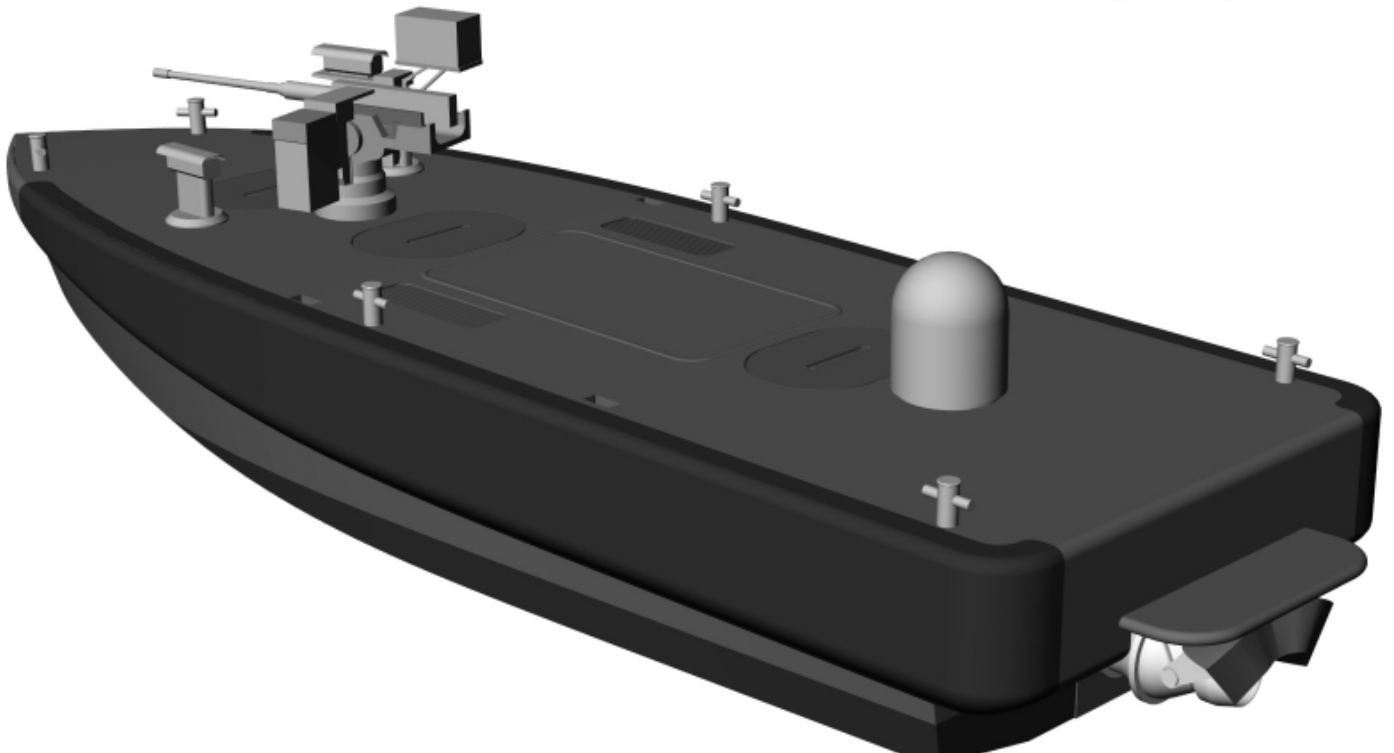
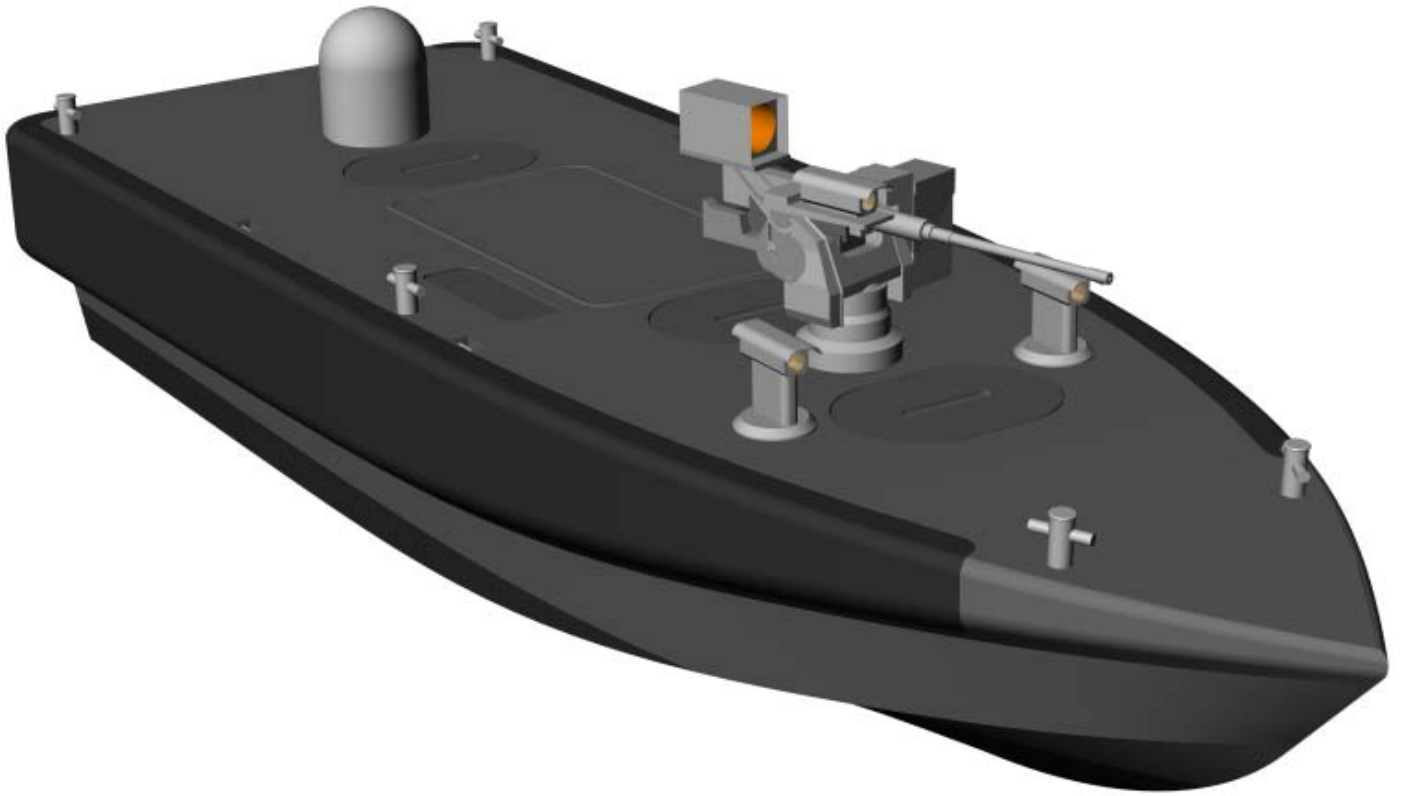
48 Sweetgum St, Ashmore Qld 4214, Australia

Ph: (617) 5597 3521 www.scy.net.au



LightCraft SRB

6.8m Unmanned Vessel

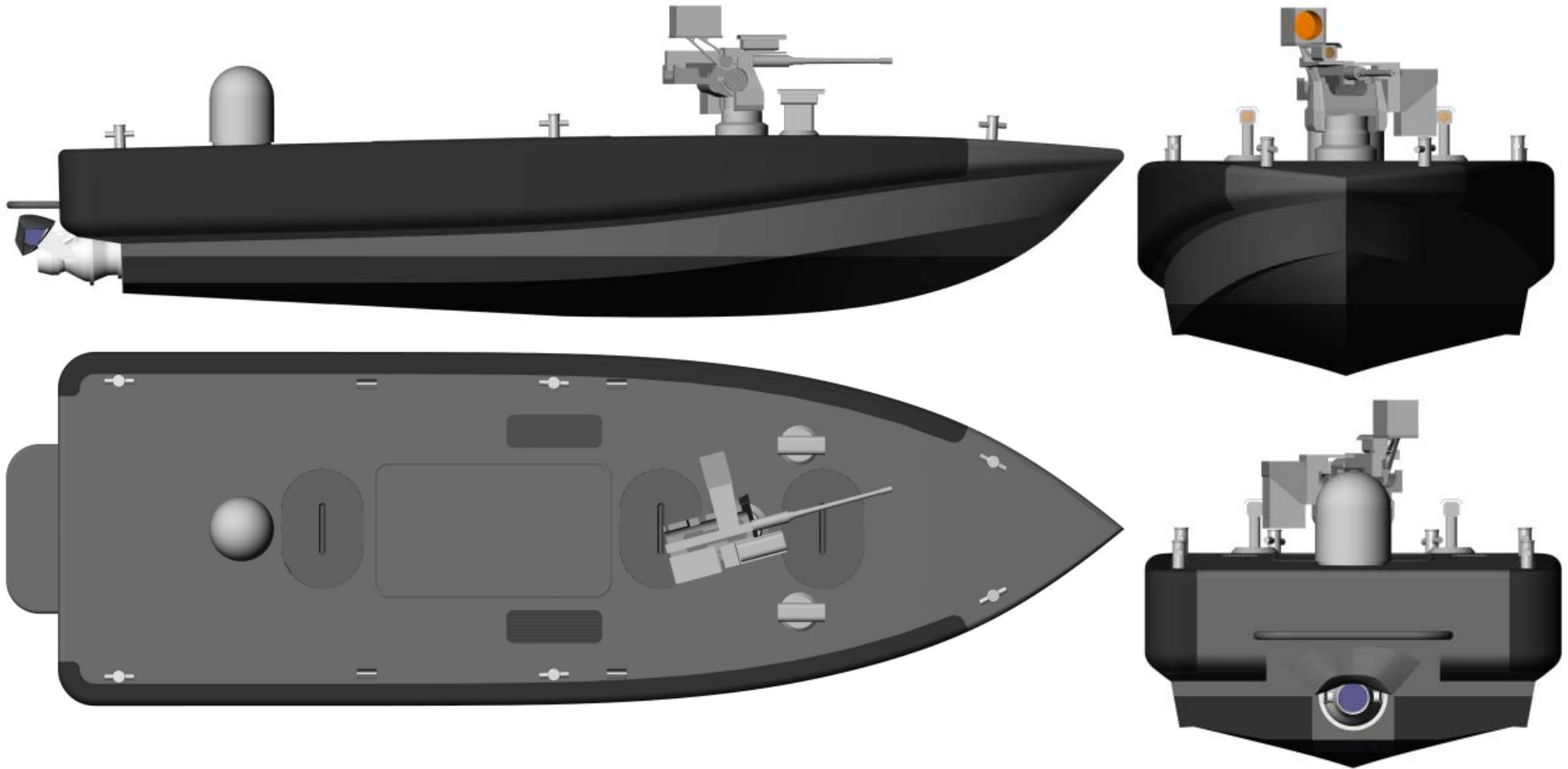


SCY Design

48 Sweetgum St, Ashmore Qld 4214, Australia
Ph: (617) 5597 3521 www.scy.net.au

LightCraft SRB

6.8m Unmanned Vessel

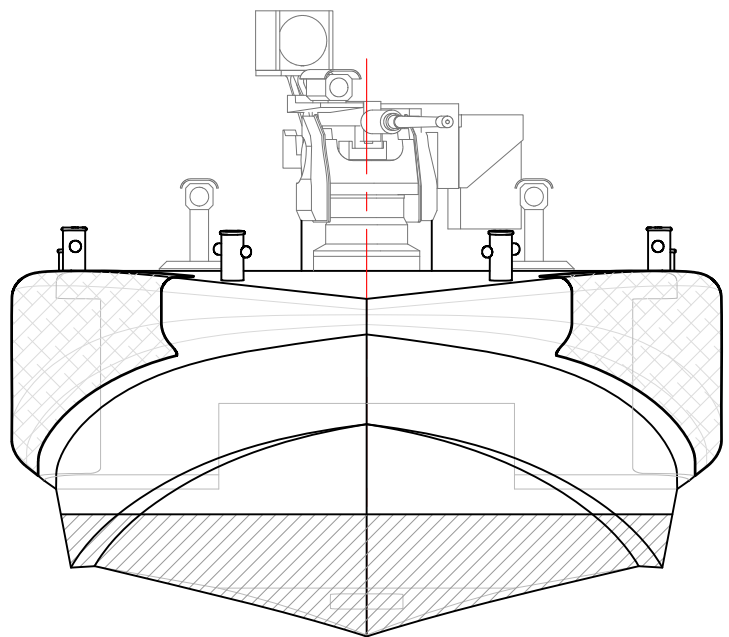
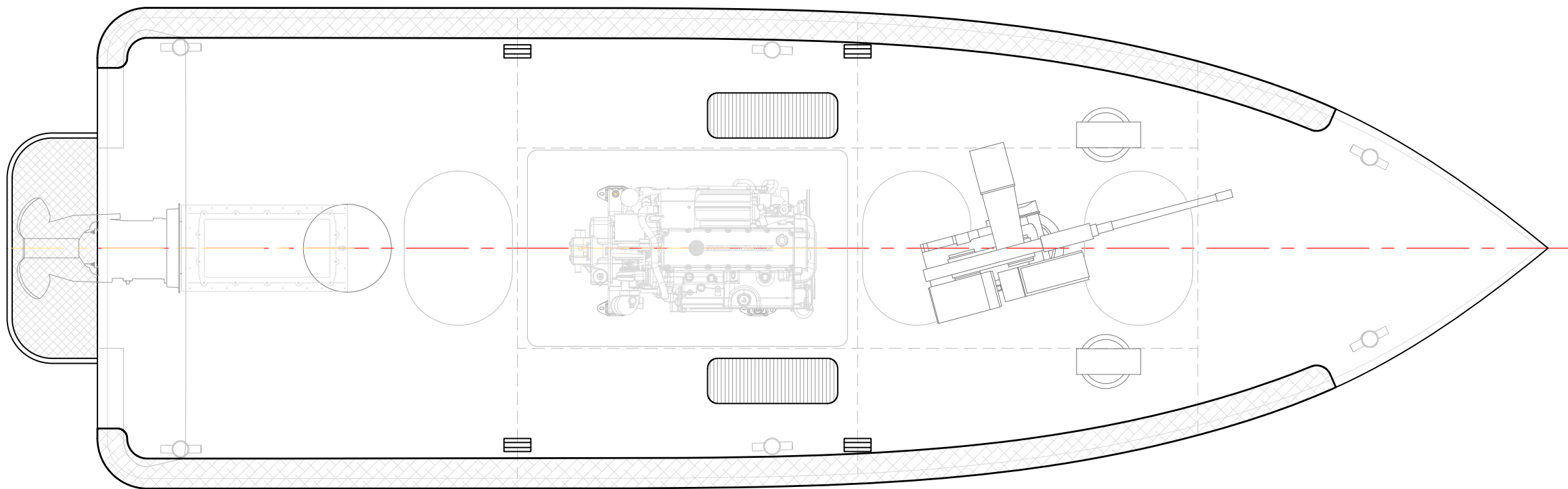
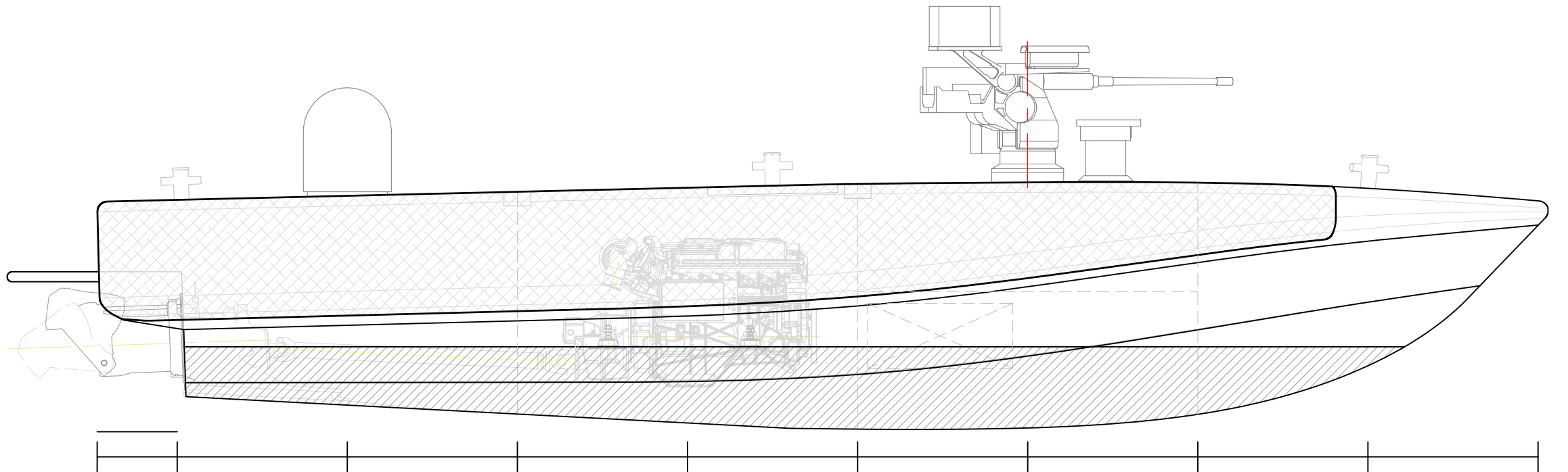


Lmoulded: 6.8m
LWL : 6.0m
Beam : 2.4m
Draft : 0.3m
Deadrise: 15deg
Fuel: 400lts

DNV R3 PATROL
Construction :
Marine Grade Aluminium

SCY Design
48 Sweetgum St, Ashmore Qld 4214, Australia
Ph: (617) 5597 3521 www.scy.net.au





PRINCIPAL PARTICULARS

LOA:	7.7m	MAIN ENGINES:	Steyr SE306
Lmoulded:	6.8m		292hp @ 4300rpm
Lwl:	6.0m	GEARBOX:	ZF63
Bmax:	2.4m	WATERJET:	HJ241
Bmoulded:	2.3m	SPEED max:	35knots (0.5t dwt)
Bchine:	2.0m	SPEED cruise:	25knots (0.5t dwt)
DRAFT:	0.3m	FUEL:	400ltr
DEADRISE:	15deg.	RANGE:	350nm

FENDER DETAIL:
45mm EVA foam coated with
4mm Elastomeric Polyurethane
Depth 650mm aft

CLASSIFICATION:
DNV R3 PATROL

CONSTRUCTION:
MARINE GRADE ALUMINIUM

6.8m SRB Unmanned Vessel

VESSEL: 6.8m SRB Unmanned Vessel
TITLE: GENERAL ARRANGEMENT
DWG No: 6.8UV-100 DATE: 14/11/2014 SCALE: DRAWN: MDW

SCY DESIGN
Consulting Naval Architects & Mechanical Engineers
48 Sweetgum St, Ashmore, Queensland 4214, Australia
Ph: 617 5597 3521 www.scy.net.au

COPYRIGHT © THIS DRAWING AND THE INFORMATION CONTAINED HEREON IS SUPPLIED ON THE UNDERSTANDING THAT IT IS THE EXCLUSIVE PROPERTY OF SOUTHPORT CUSTOM YACHTS PTY. LTD. AND MUST NOT BE USED OR REPRODUCED IN WHOLE OR IN PART WITHOUT PERMISSION IN WRITING.